

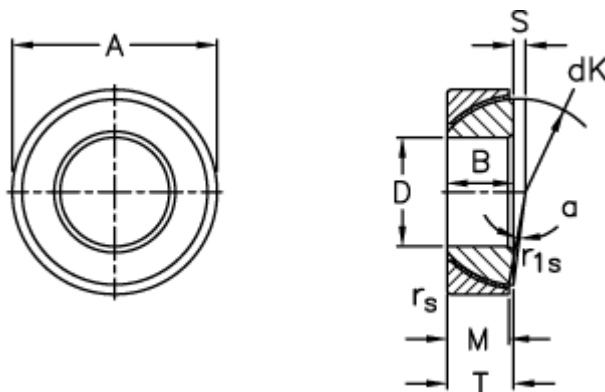
# Data Sheet



Article number: 03510170

Description: Fluro Rod end GE 170SW

## Measures



A = 260 0 -0,035

B = 57

D = 170 0 -0,025

dK = 246

Dynamic load C (kN) = 2180

M = 55

rs, r1s min = 3

S = 21

Static load C0 (kN) = 4360

T = 57 +0,35 -0,70

Tilt angle = 1

Weight = 12300